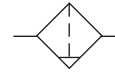


## GAF Series Filter



### Ordering code

**GAF300**  **10**   **W** **T**

①

②

③

④

⑤

⑥

⑦

① Model	② Material of bowl	③ Port size	④ Drain type
GAF200: GA200 Series Filter		06: 1/8" 08: 1/4"	Blank: Semi-auto drain A: Automatic drain
GAF300: GA300 Series Filter	Blank: PC N: Nylon C: Metal	08: 1/4" 10: 3/8" 15: 1/2"	
GAF400: GA400 Series Filter		10: 3/8" 15: 1/2"	
GAF600: GA600 Series Filter	C: Metal	20: 3/4" 25: 1"	
⑤ Accessories	⑥ Filtering grade	⑦ Thread type	
Blank: Bracket J: No bracket	Blank: 40μm W: 5μm	T: NPT	

### Product feature

1. Unique diversion structure spins the air flowing through to effectively separate the liquid from the air and reliably filter the solid grain.
2. It has low pressure loss, high efficiency in separating water and large drain bowl capacity.
3. Filtering grade includes 5μm and 40μm (Optional).
4. Three drain types are available: manual drain, semi-auto drain and automatic drain.
5. Two drain types are available: semi-auto drain and automatic drain.
6. Three material of bowl are available: PC, Nylon and metal.
7. The bracket can be selected for installation.

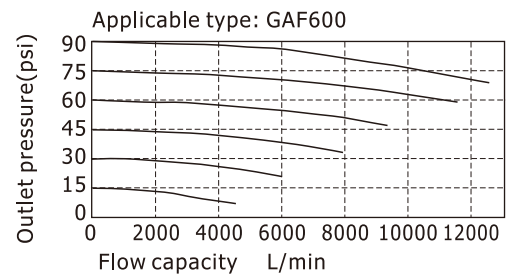
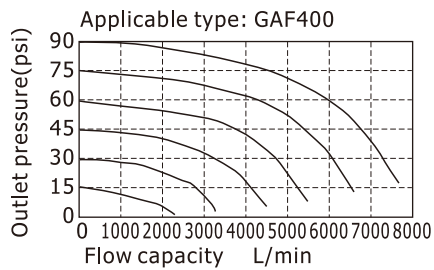
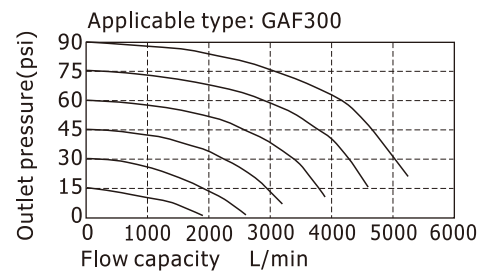
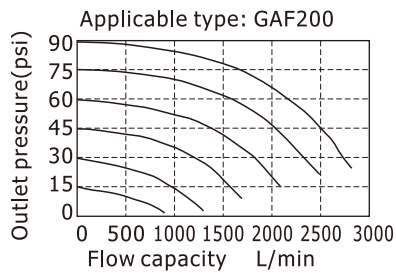
## GAF Series Filter

### Specification

Model	GAF20006	GAF20008	GAF30008	GAF30010	GAF30015	GAF40010	GAF40015	GAF60020	GAF60025
Fluid	Air								
Port size [Note1]	1/8"	1/4"	1/4"	3/8"	1/2"	3/8"	1/2"	3/4"	1"
Filtering grade	40μm or 5μm								
Pressure range	20~145psi(0.15~1.0MPa)								
Proof pressure	215psi(1.5MPa)								
Temperature range	-5~70°C(Unfreeze)								
Capacity of drain bowl	25CC		60CC			100CC		205CC	
Weight	200g		360g			640g		1040g	

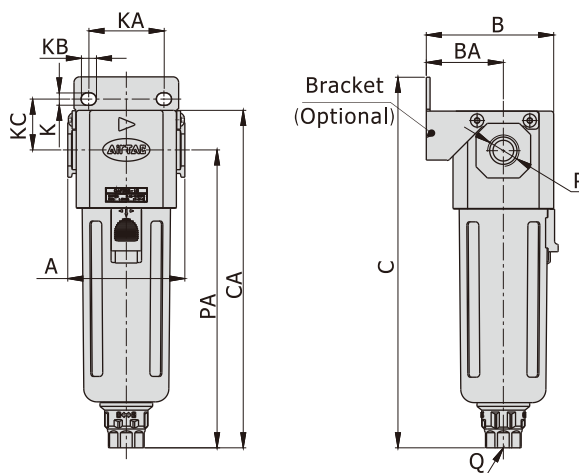
[Note1] NPT thread is available.

### Flow chart



## GAF Series Filter

### Dimensions



[Unit: mm]

Model\Item	A	B	BA	C	CA	K	KA	KB	KC	P	PA	Q
GAF200-06	52.5	54.5	33	150	137	5.4	27	8.4	23.	1/8"	120	M5X0.8
GAF200-08	52.5	54.5	33	150	137	5.4	27	8.4	23	1/4"	120	M5X0.8
GAF300-08	62.5	67.5	41	197	179	6.5	40	8	27	1/4"	158	G1/4
GAF300-10	62.5	67.5	41	197	179	6.5	40	8	27	3/8"	158	G1/4
GAF300-15	62.5	67.5	41	197	179	6.5	40	8	27	1/2"	158	G1/4
GAF400-10	80	84	50	220	205.5	8.5	55	11	33.5	3/8"	177.5	G1/4
GAF400-15	80	84	50	220	202.5	8.5	55	11	33.5	1/2"	177.5	G1/4
GAF600-20	100	113	70	266	242	11	66	13	50	3/4"	205	G1/4
GAF600-25	100	113	70	266	242	11	66	13	50	1"	205	G1/4